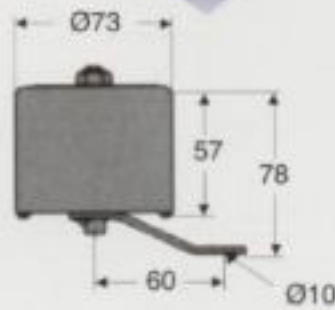
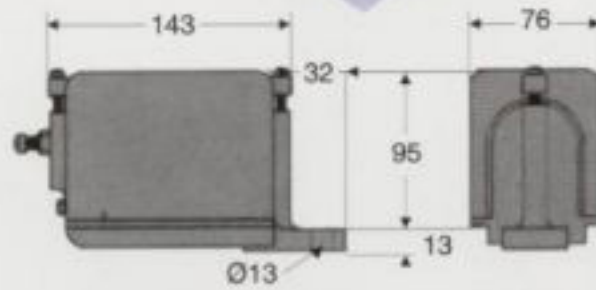


Specifications and Dimensions (mm)

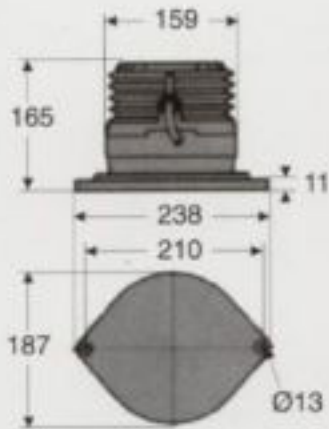
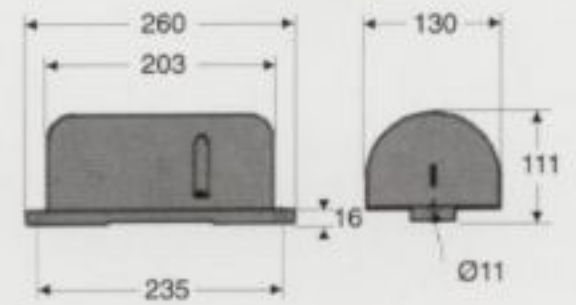
Model V2



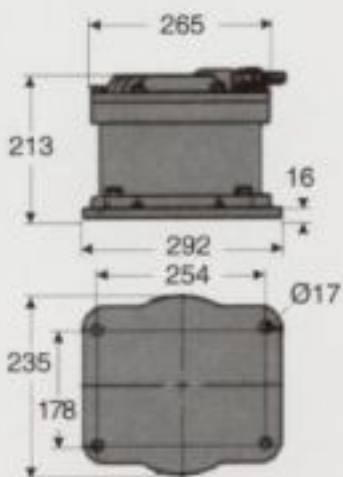
Model V-4



Model V-20



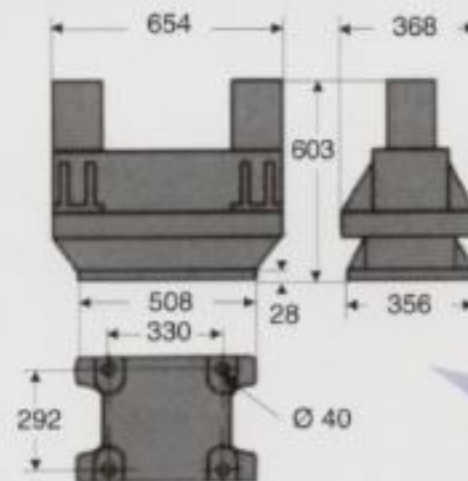
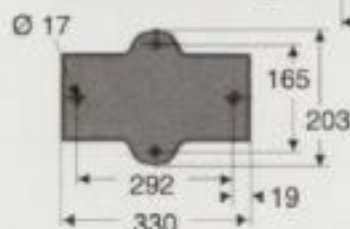
Model V-41



Models V-85 and V-86



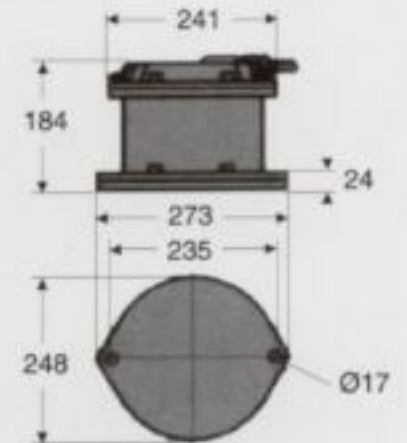
Model V-75



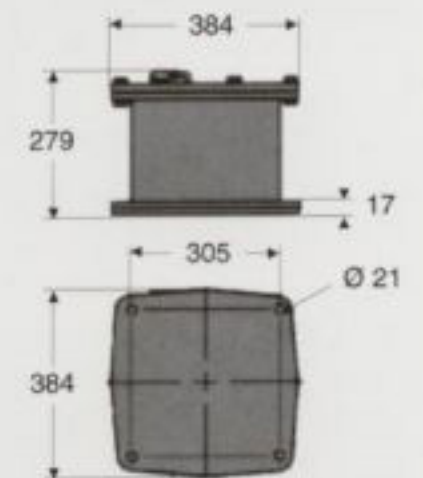
Model V-500

SPECIFICATIONS

Model	Vibrations per Minute	Power (W)	Volts (50HZ)	Current Input (A)	Controller	Weight (kg)
V-2	AC	6.000	15		—	
	RC	3.000	20	0,15	CSCR1-C	1,1
V-4	AC	6.000	30		—	
	RC	3.000	30	0,4	CSCR1-C	2
V-20		3.000	40		—	
				220	1	CSCR1-C
V-41		3.000	75		—	
				220	1,7	CSCR1-C
V-50 and V-51		3.000	120		—	
				380	1	RSDC-4B
V-85 and V-86		3.000	180		—	
				220	3,5	RSDC-4B
V-180 and V-181		3.000	500		—	
				380	6	RSDC-4B
V-75		3.000	600		—	
				220	7	RSDC-4B
V-500		3.000	2.000		—	
				380	15	RSDC-5B



Models V-50 and V-51



Models V-180 and V-181

WARNING: The vibrator should operate only when the discharge is open to flow, otherwise the material could become compacted.

CAUTION: These units are to be installed, operated and maintained in accordance with accompanying Service Instructions. Failure to follow these instructions may result in harm to people and/or things.